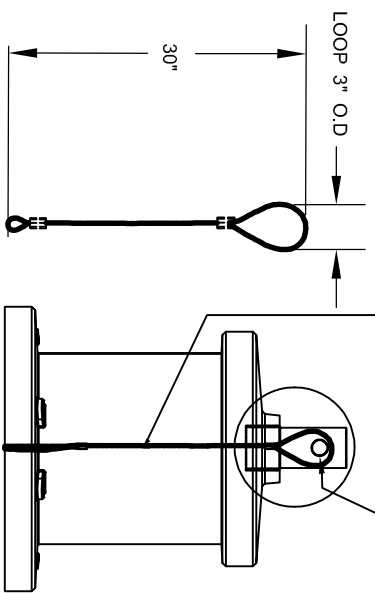
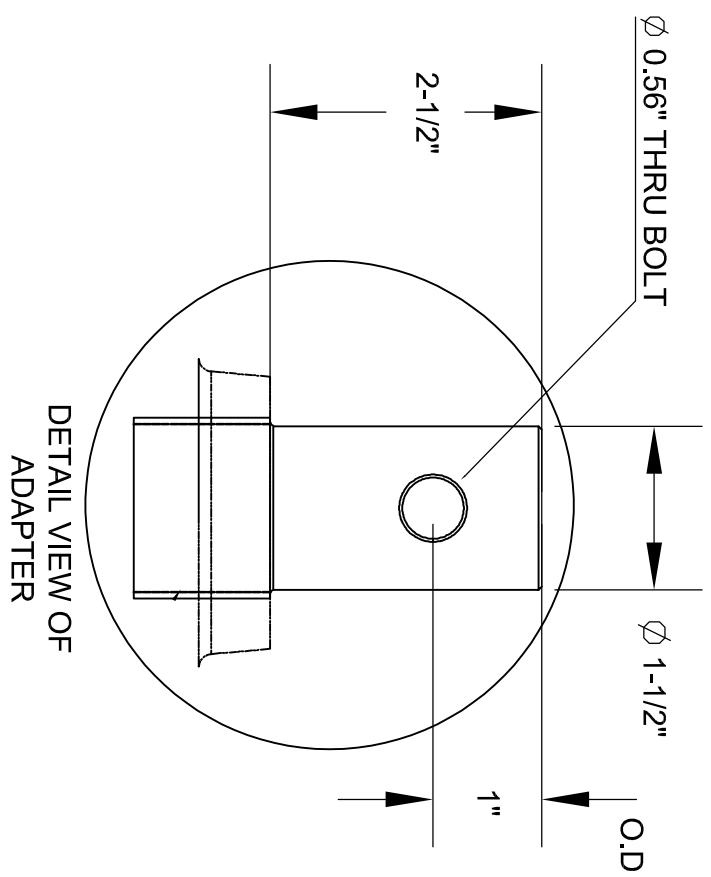


30" INTERNAL SAFETY CABLE SECURED INSIDE LOWER PART OF FIXTURE



HOLE TO ALIGN IN DIRECTION OF PEDESTRIAN/STREET SIDE



DETAIL VIEW OF ADAPTER

REV.	DESCRIPTION
	PROJECT: <i>Nautical Top Hat &amp; Mounting</i>
	DWG #: <i>Nautical Top_1</i>
	CUSTOMER: <i>City of Winnipeg</i>
	DATE: <i>January 4, 2014</i>
	SCALE: <i>NTS</i>
	QTY: <i>-</i>
	SHEET: <i>1 of 1</i>
	REV: <i>0</i>

**Winnipeg**  
Public Works Department  
Transportation Division